

Installing the Wide Dovetail Holder on the Orion® Atlas™ EQ-G Mount

#7950, #7951

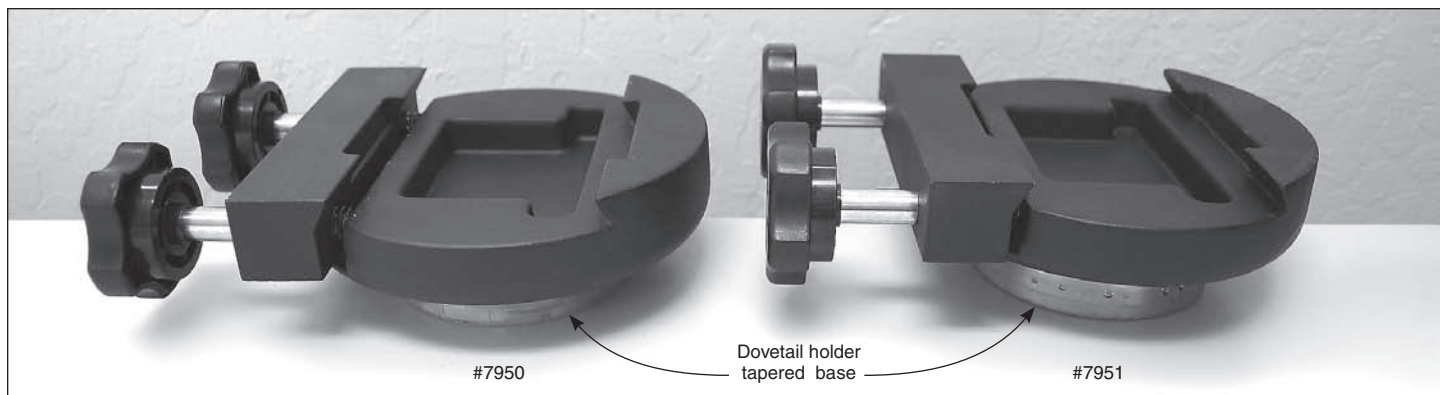


Figure 1: The wide Dovetail holders for the Atlas EQ-G mount.

Due to a manufacturing change on the Atlas mounts we offer two models of the replacement plate. Mounts made prior to November 2008 use SKU #7950 and mounts made after November 2008 will require SKU #7951. The 7950 has a lower-profile tapered base that fits into the Declination collar (Figure 1). The assembly procedure is the same for each. If you are unsure which Atlas Mount vintage you have there is an easy way to tell. Simply measure the height of the Declination collar (Figure 2) from the underside of the dovetail holder to the top of the Declination setting circle. The more recent mounts that require the 7951 have a Declination collar that is 57mm tall; the older ones which require 7950 are 53mm tall.

Orion EQ-G series mounts come standard with a narrow dovetail holder for mounting telescopes. For the benefit of those customers who own telescopes that use a wider dovetail we now offer a compatible holder. Once installed, only the wide dovetail bars will be compatible with your mount. Therefore, we advise you to save your original dovetail holder to reinstall in the event you wish to use a telescope with the narrow dovetail bar in the future.

1. Loosen, but do not remove, three Allen screws beneath the dovetail bar on the Declination collar. Do not adjust the silver flat head screws beneath the Allen screws.
2. Remove the existing dovetail plate by simply lifting it off of the collar.
3. Place the new Dovetail holder in its place. Make sure it fits flush.
4. Re-tighten the three Allen screws. It is suggested to tighten each screw one or two turns at a time to ensure even pressure is applied.

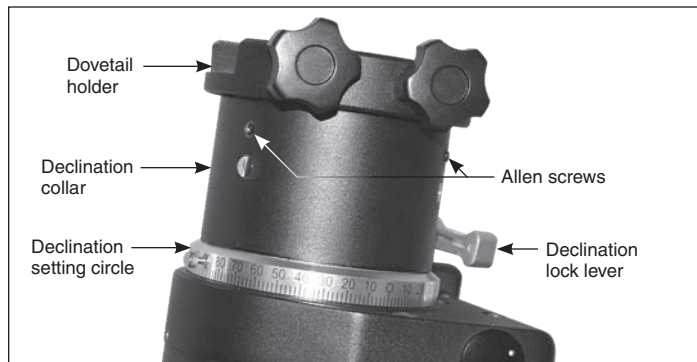


Figure 2: The Declination portion of the Atlas EQ-G mount.

One-Year Limited Warranty

The Orion Wide Dovetail Holder is warranted against defects in materials or workmanship for a period of one year from the date of purchase. This warranty is for the benefit of the original retail purchaser only. During this warranty period Orion Telescopes & Binoculars will repair or replace, at Orion's option, any warranted instrument that proves to be defective, provided it is returned post-age paid to: Orion Warranty Repair, 89 Hangar Way, Watsonville, CA 95076. If the product is not registered, proof of purchase (such as a copy of the original invoice) is required.

This warranty does not apply if, in Orion's judgment, the instrument has been abused, mishandled, or modified, nor does it apply to normal wear and tear. This warranty gives you specific legal rights, and you may also have other rights, which vary from state to state. For further warranty service information, contact: Customer Service Department, Orion Telescopes & Binoculars, 89 Hangar Way, Watsonville, CA 95076; (800) 676-1343.

 **ORION**
TELESCOPES & BINOCULARS
Providing Exceptional Consumer Optical Products Since 1975
OrionTelescopes.com

Customer Support (800) 676-1343
E-mail: support@telescope.com
Corporate Offices (831) 763-7000
89 Hangar Way, Watsonville CA 95076